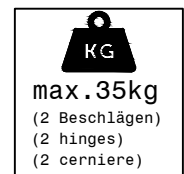
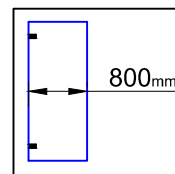
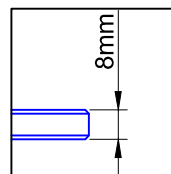
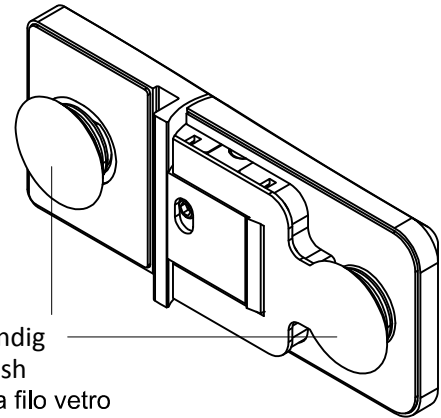
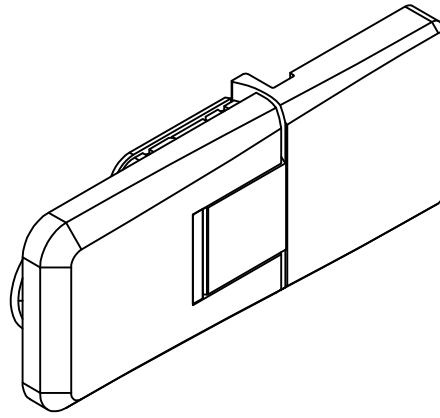


Beidseitig 90° öffnend Türband Glas-Glas
 Glass-glass double sided 90° opening hinge
 Cerniera vetro-vetro apertura 90° interna ed esterna

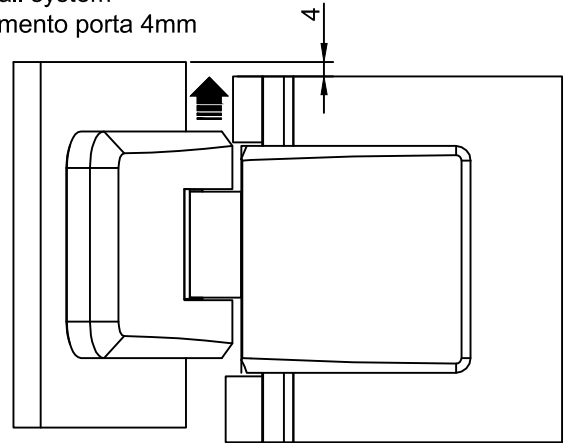
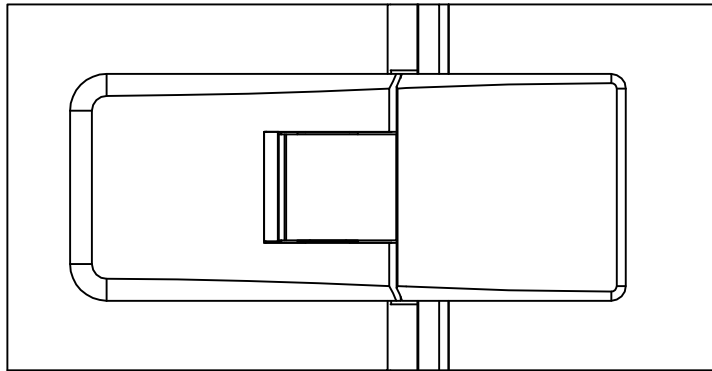


Getestet über 20.000 Öffnungen nach UNI EN 14428
 Tested over 20.000 openings according to UNI EN-14428
 Testata oltre le 20.000 aperture secondo UNI EN-14428

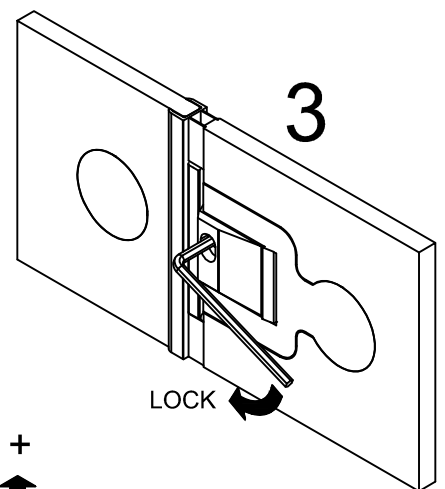
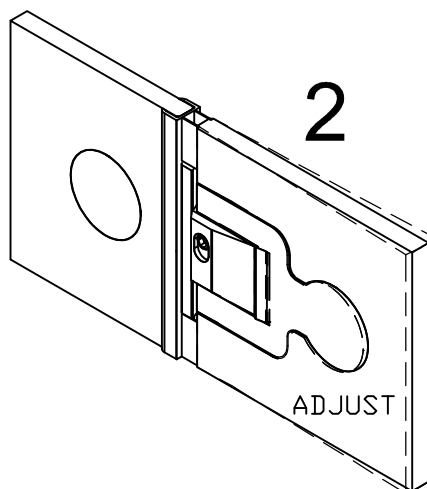
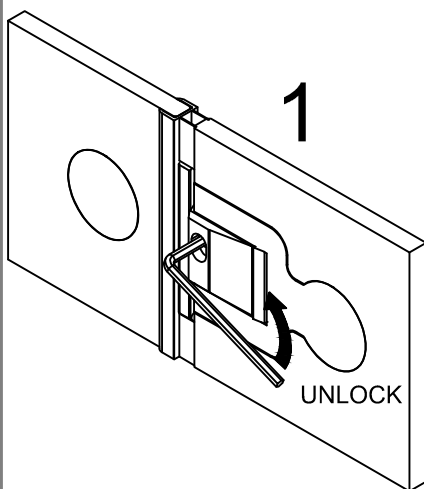


Flächenbündig
Surface flush
Fissaggio a filo vetro

Hebe-senk funktion 4mm
4mm Rise and fall system
Sistema sollevamento porta 4mm

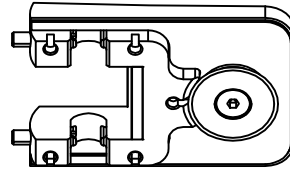
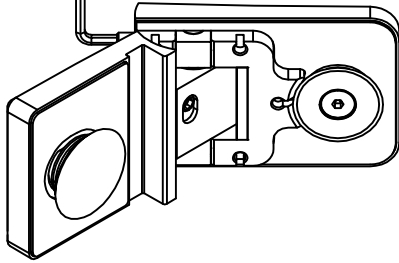


Einstellbare Nullage
Zero position adjustment
Regolazione punto di chiusura

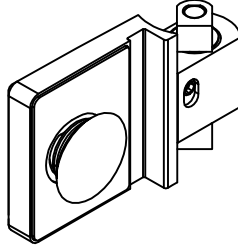


+
- 0°

REMOVE THE COVERING PLATES AND UNLOCK TWO SCREWS



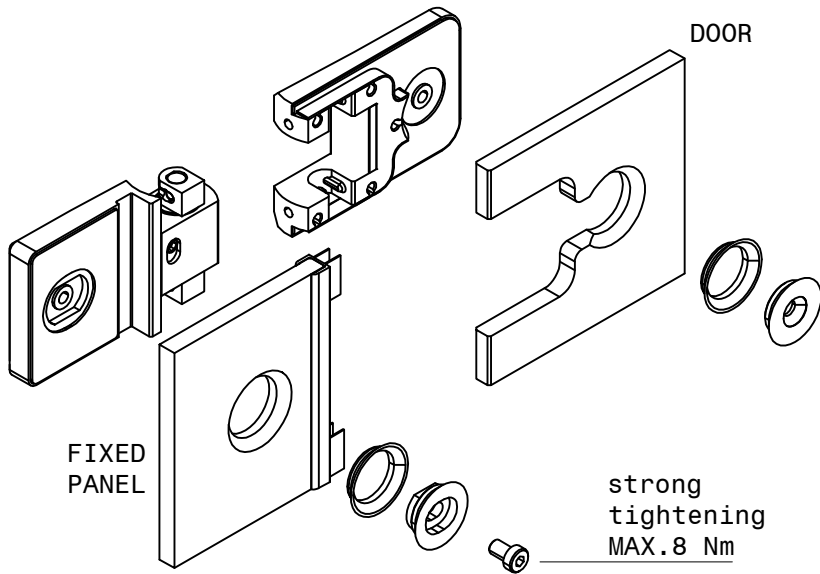
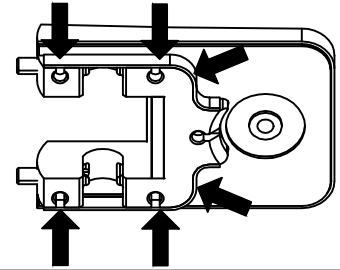
SEPARATE THE TWO HINGE PARTS



PREPARE THE TWO STICKING GASKETS

REMOVE THE PROTECTIVE FILM

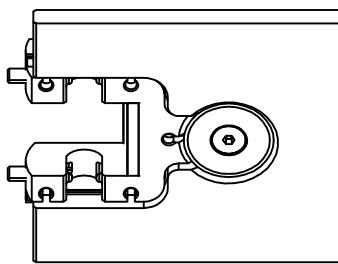
STICK THE GASKETS ALONG THE HINGE PERIMETER TO PROTECT THE GLASS



MOUNT THE TWO PARTS ON THE GLASS PANELS

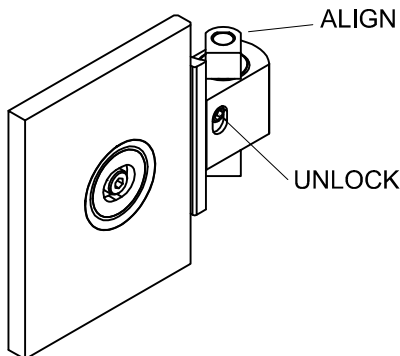
normal tightening

strong tightening
MAX.8 Nm



REJOIN THE TWO PARTS

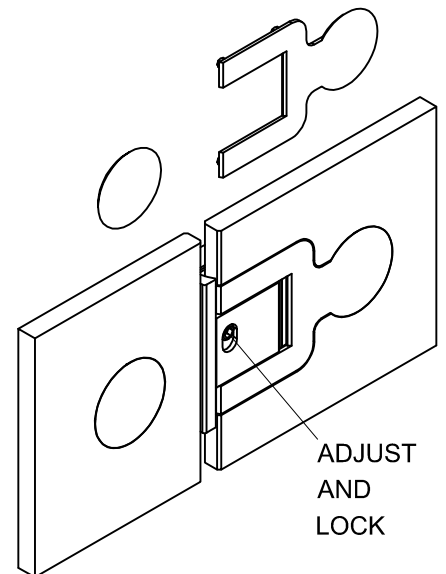
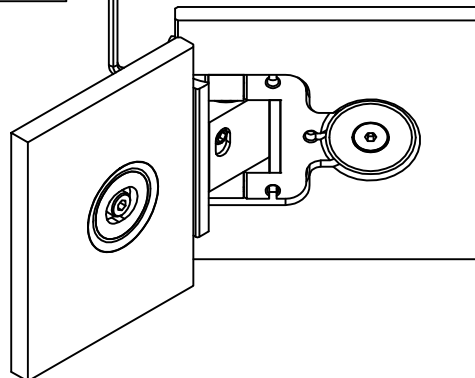
FIX THE COVERING PLATES



ALIGN

UNLOCK

LOCK THE TWO SCREWS



ADJUST AND LOCK